

Rentex Hygiene

Autocut reserve paper roll dispenser



Range

Hand drying

Product Code

CAB POD

Pod is the new generation mechanical auto cut paper dispenser that has one of the largest paper capacities on the market. Thanks to its patented reserve roll loading system, a new roll can be loaded before the previous one has been fully used, thus making sure no paper is wasted. This reserve feature can save up to 14% of paper consumption*.

This compact reserve paper hand towel dispenser that has been designed to accommodate different lengths of 1 and 2-ply paper. With its modern design, the dispenser is an excellent choice for efficient and stylish hand drying.

Standard Finishes Available

Arctic White

Designer Grey

Benefits

Hygiene and image

- Single-use paper portion - the paper self presents enabling maximum hygiene
- Automatic paper follow-on feature for presenting paper in advance of the next operation
- Compact size and modern design that integrates with the Ellipse range
- Patent pending chevron paper cutting design

Reliability and durability

- Durable ABS material and stainless-steel blades
- Anti-vandalism clutch feature on the handle which protects the mechanism from any damage through excess force.

Ease of service

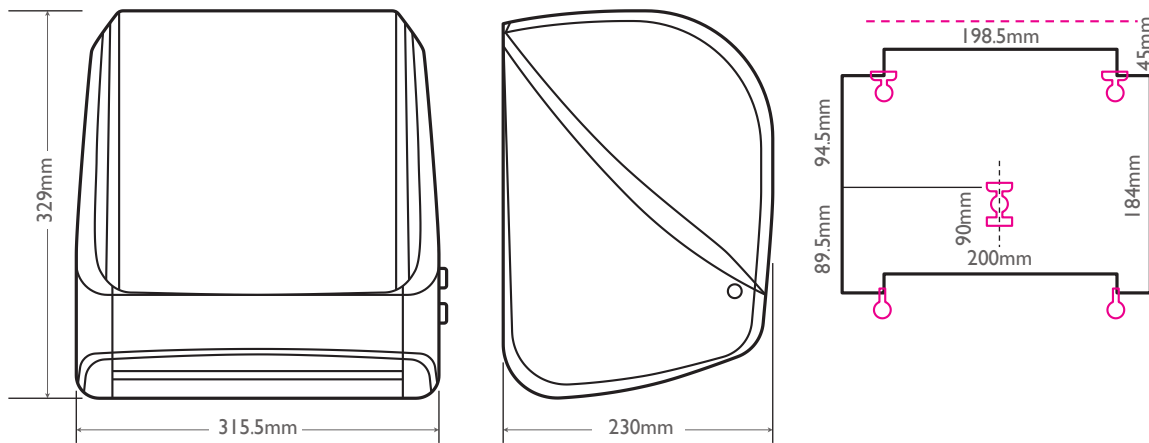
- Transparent ABS cover allows for fast refill status checks
- Single sheet dispensing ensuring that only the towels needed are used
- Easy and fast loading of paper rolls
- Left / right hand lock with one security key for the whole range
- Minimum maintenance required

Freedom and control of consumables

- Takes most standard paper rolls available on the market; can dispense 1 or 2-ply paper.

- Reserve roll loading system preventing paper shortage and waste
- Automatic reserve feature – once the roll reaches 8.5cm, can be put into the reserve position and a new roll loaded, the new roll automatically loads itself once the first roll has depleted

Technical Specifications



HEIGHT
329 mm (13 in)

WIDTH
315.5 mm (12.4 in)

DEPTH
230 mm (9 in)

 **FIXING POINTS**
Ø : 6mm (0.2 in)

Consumables

Rentex units have been designed to take a variety of paper rolls with the following specification range:

- Core diameter: 38 mm
- Roll width: up to 210 mm
- Roll diameter: up to 200 mm

Standard 2-ply paper rolls of 110m and 150m are available from Rentex Hygiene. Cut sheet length 25cm.

Materials

Constructed from ABS, other engineering thermoplastics and metal fabrication where necessary for strength and reliability. The cabinet can be recycled or disposed of in accordance with local regulations.

Packaging

Cabinets are packed into a double wall box with key and instruction sheet. Every unit is packed in a polyethylene bag. Individual unit weight: 2.7 kg

Rentex Hygiene Services Ltd
Currock House
Denby Dale Road East, Durkar
Wakefield WF4 3AX

www.rentexhygiene.co.uk